

# Cybex EAGLE ROW (Before G1231)

11030-01

## Parts Manual

2/5/2024 16:36:48 PM

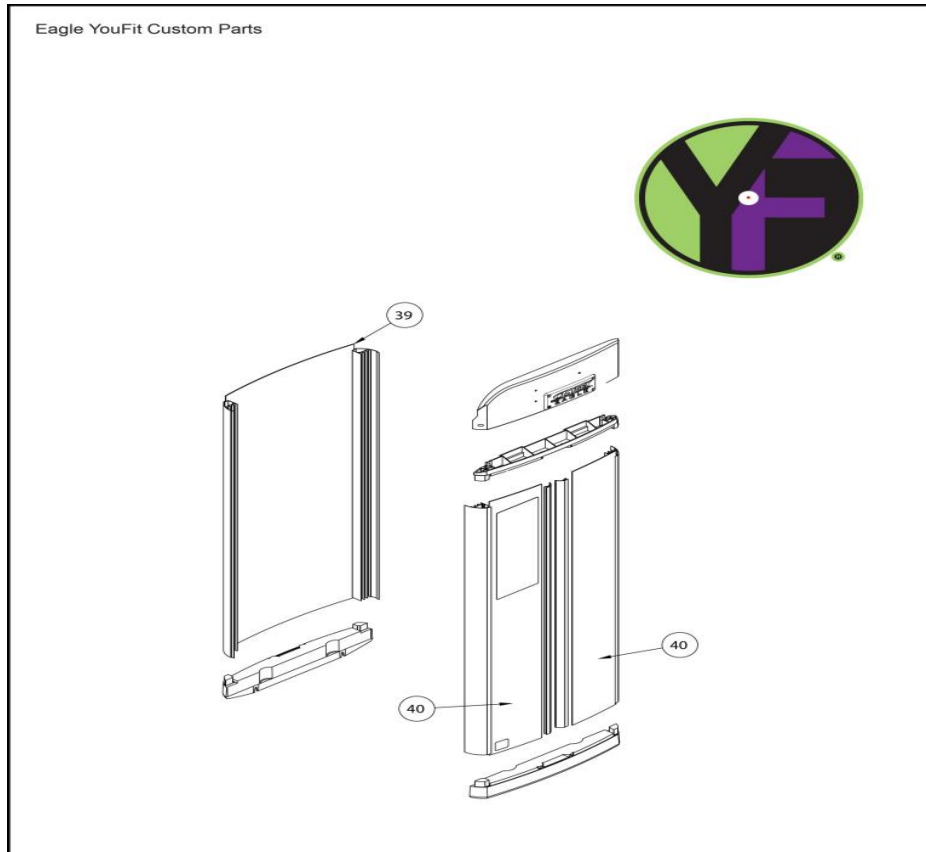


**Table of Contents**

---

<a href="#">Eagle YouFit Panel assembly.....</a>	<a href="#">3</a>
<a href="#">11030 Parts not shown.....</a>	<a href="#">4</a>
<a href="#">11030-01 ARM ASSEMBLY.....</a>	<a href="#">5</a>
<a href="#">11030-01 BELT AND CABLE ROUTING.....</a>	<a href="#">6</a>
<a href="#">11030-01 FRAME ASSEMBLY.....</a>	<a href="#">7</a>
<a href="#">11030-01 MAIN ASSEMBLY.....</a>	<a href="#">9</a>
<a href="#">11030-01 PANEL ASSEMBLY.....</a>	<a href="#">11</a>
<a href="#">11030-01 SEAT ASSEMBLY.....</a>	<a href="#">13</a>
<a href="#">11030-15 TOP WEIGHT ASSEMBLY A01 to G1231.....</a>	<a href="#">14</a>

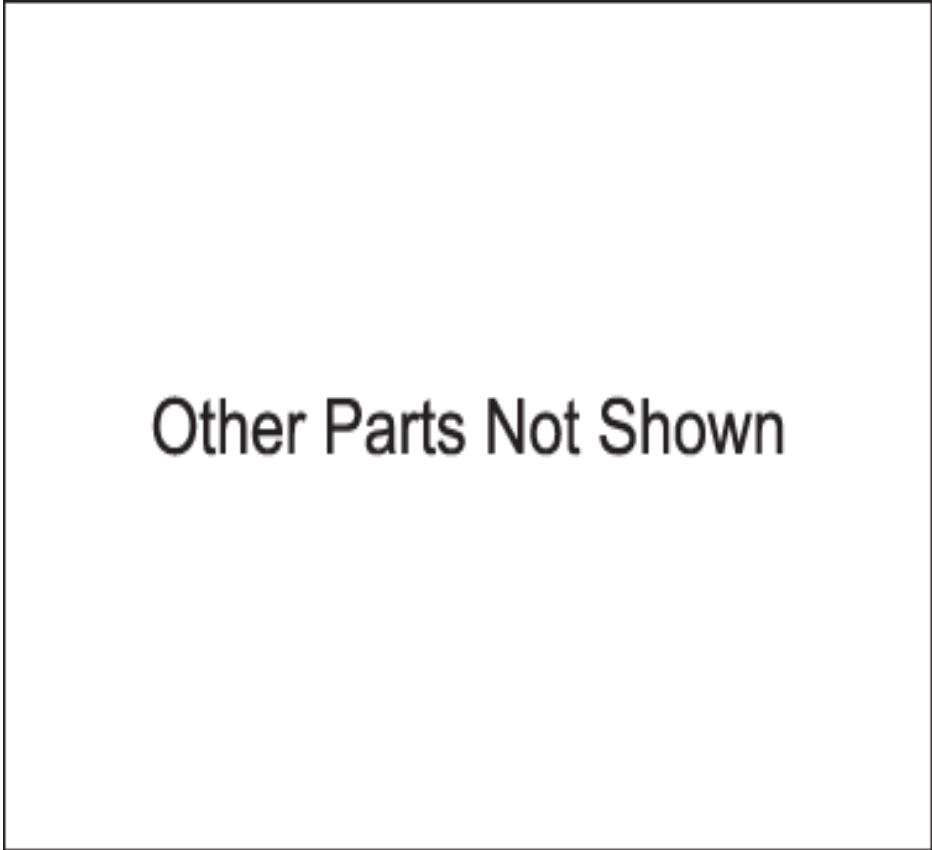
## Eagle YouFit Panel assembly



Ref #	Part Number	Qty	Description
39A	11040-760GY	1	PANEL, SHROUD BACK
39B	11040-760PY	1	PANEL, SHROUD BACK
40A	11040-762GY	1	PANEL, SHROUD FRONT
40B	11040-762PY	1	PANEL, SHROUD FRONT

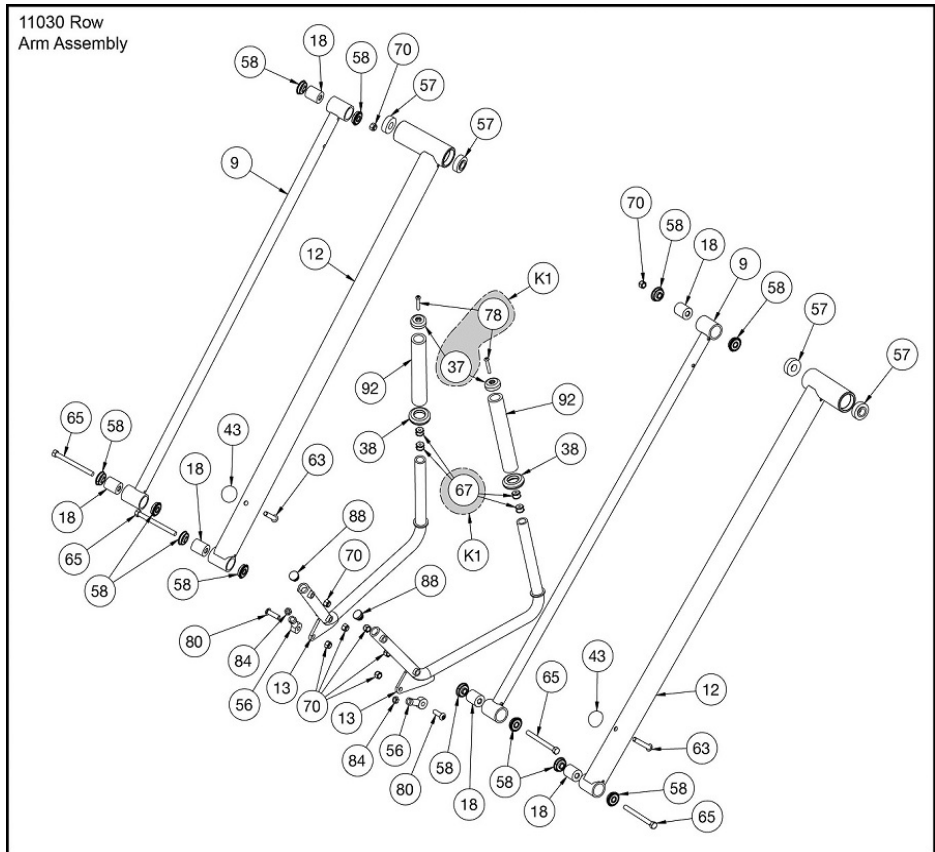
**11030 Parts not shown**

---



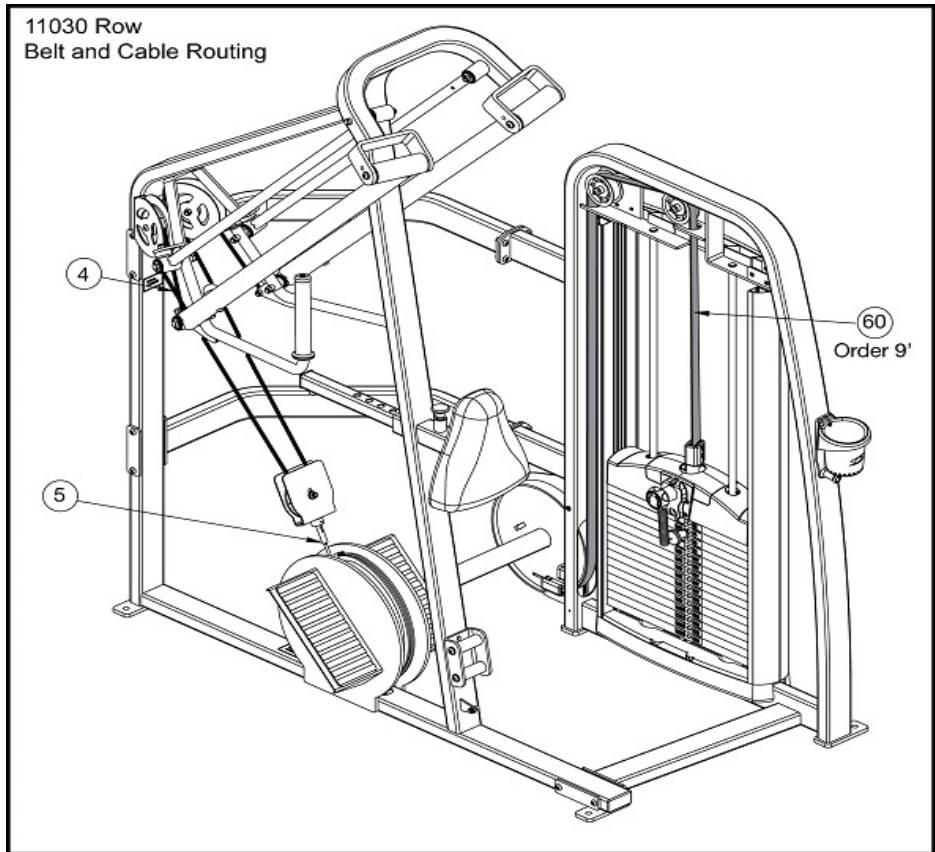
Ref #	Part Number	Qty	Description
K6	11030K005	1	KIT ADJUSTING DECAL
K7	11000K010	1	Kit Hardware Eagle

**11030-01 ARM ASSEMBLY**



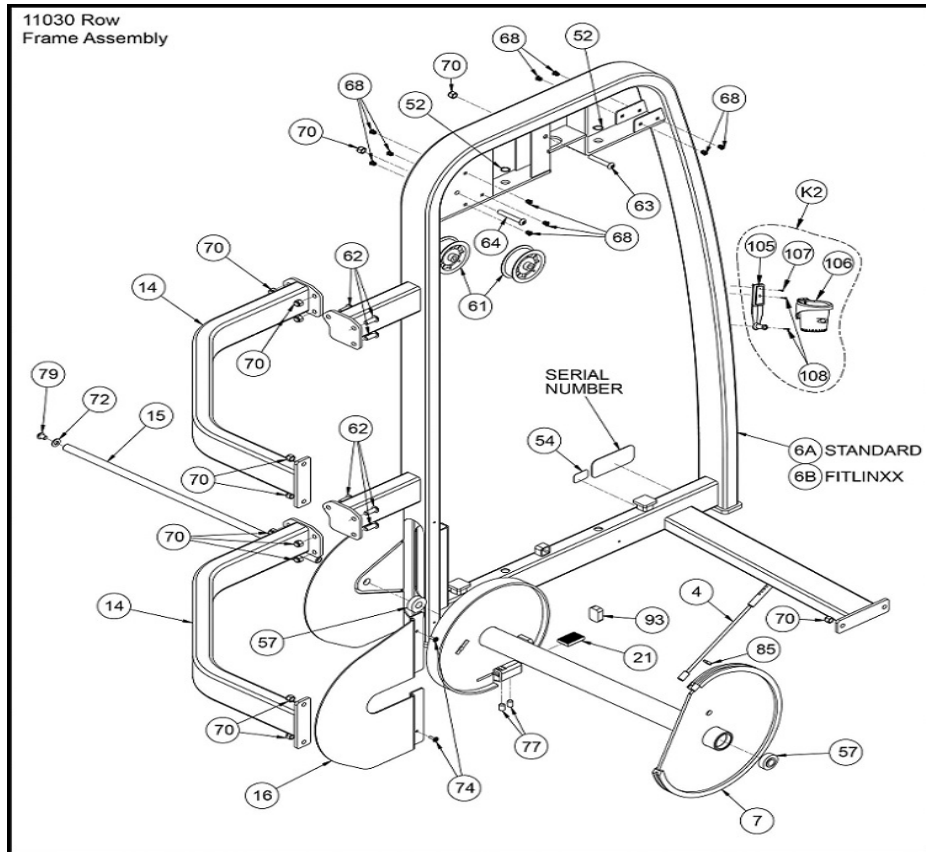
Ref #	Part Number	Qty	Description
K1	11090K006	2	KIT HANDLE TRIM RING
9	11030-204	2	W ARM 40.00 Custom
12	11030-207	2	W ARM 42.00 Custom
13	11030-211	2	W HANDLE Custom
18	11030-349	5	SPACER BEARING
37	11090-374	2	END CAP
38	11090-376	2	RING HANDLE GRIP
43	4505-331	2	BUMPER 1.50 DIA
56	FB030213	2	BRG ROD END FEMALE .375-24
57	FB030232	4	BRG RADIAL 17MM ID EXT RACE
58	FB030242	10	supplier BDI BRG WITH SNAP RING 30MM OD X 10MM ID
63	HC700428	2	BHSCS .375-16 X 2.25
65	HC701244	4	HX HD CAP SC .375-16 X 4.25
67	HF449063	4	INSERT 3-4X1-4-20 CONNECTOR
70	HN704901	8	LOCKNUT .375-16 NYLON
78	JC620422	2	BHSCS .250-20 X 1.50
80	JC700420	2	BHSCS .375-16 X 1.25
84	JN714400	2	JAM NUT .375-24
88	PP090213	2	INSERT PLASTIC
92	4605-506	1	GRAB GRIP 8.00

# 11030-01 BELT AND CABLE ROUTING



Ref #	Part Number	Qty	Description
4	11030-003	1	CABLE SA
5	11030-002	1	CABLE SA
60	GB000202	1	BELT .95 WIDE Sold in Ft 1=1ft

# 11030-01 FRAME ASSEMBLY

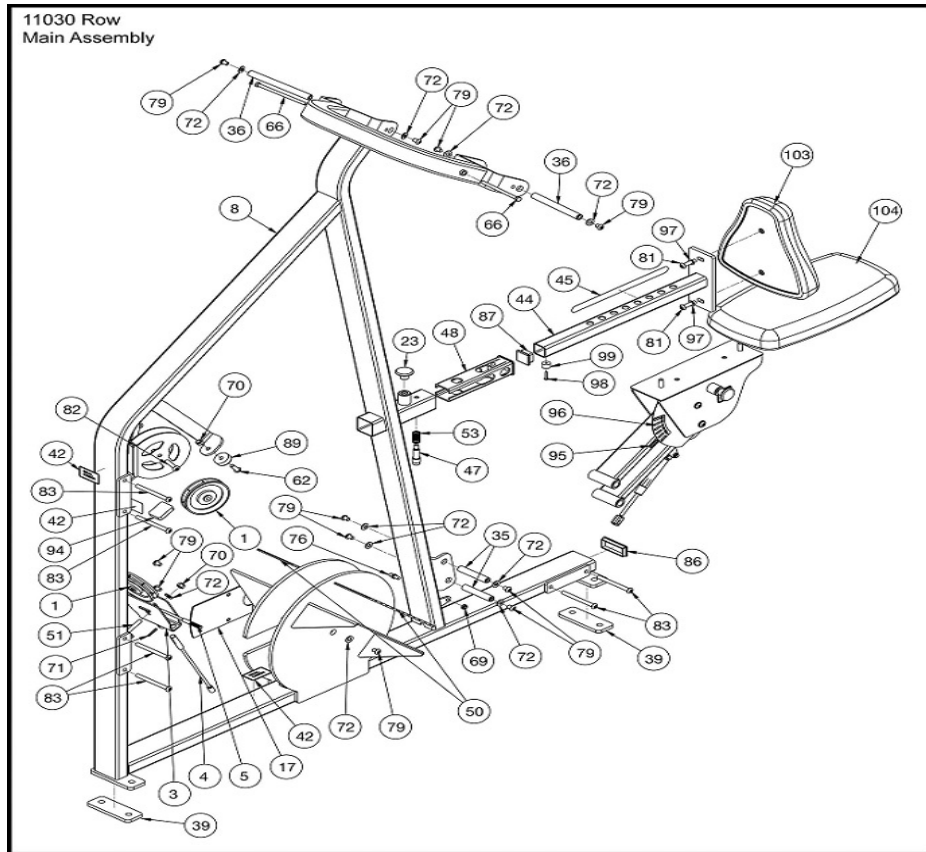


Ref #	Part Number	Qty	Description
K2	11000K007	1	Kit Water Bottle Holder
4	11030-002	1	CABLE SA
6A	11030-201	1	W WEIGHT FRAME Custom
6B	11038-200	1	W WEIGHT FRAME Custom
7	11030-202	1	W PULLEY SHAFT Custom
14	11030-212	2	W FRAME SUPPORT Custom
15	11030-311	1	SHAFT CROSS
16	11030-327	1	CAM PLATE COVER
21	11040-301	1	INSERT CLAMP BLOCK
52	BR030214	1	RETAINING RING .625
54	CM000211	1	DECAL PATENT
57	FB030232	2	BRG RADIAL 17MM ID EXT RACE
61	GP000209	2	PULLEY ASSEMBLY-3.50
62	HC700417	6	BHSCS .375-16 X 1.00
63	HC700428	1	BHSCS .375-16 X 2.25
64	HC700430	1	BHSCS .375-16 X 2.50
68	HF540200	10	GROMMET NYLON
70	HN704901	12	LOCKNUT .375-16 NYLON
72	HS347600	1	WASHER SAE .375
74	HT102214	2	SCREW,10-24,HXHD WSHR PHIL,TYP 23
77	HY740000	2	SET SCREW
79	JC700412	1	BHSCS .375-16 X .50

Ref #	Part Number	Qty	Description
85	PN149101	1	CLAMP HOSE SNAP GRIP
93	PU060201	1	BUMPER
105	13000-401	1	Mount Water Bottle Holder
106	13000-400	1	Holder Water Bottle
107	HT552515	1	TAP SC NO. 8-16 X .75 PLASTITE PN HD PHIL BLK
108	HT512517	2	TAP SC 10-24 X 1.00 TYPE WB PN HD PHIL BLK



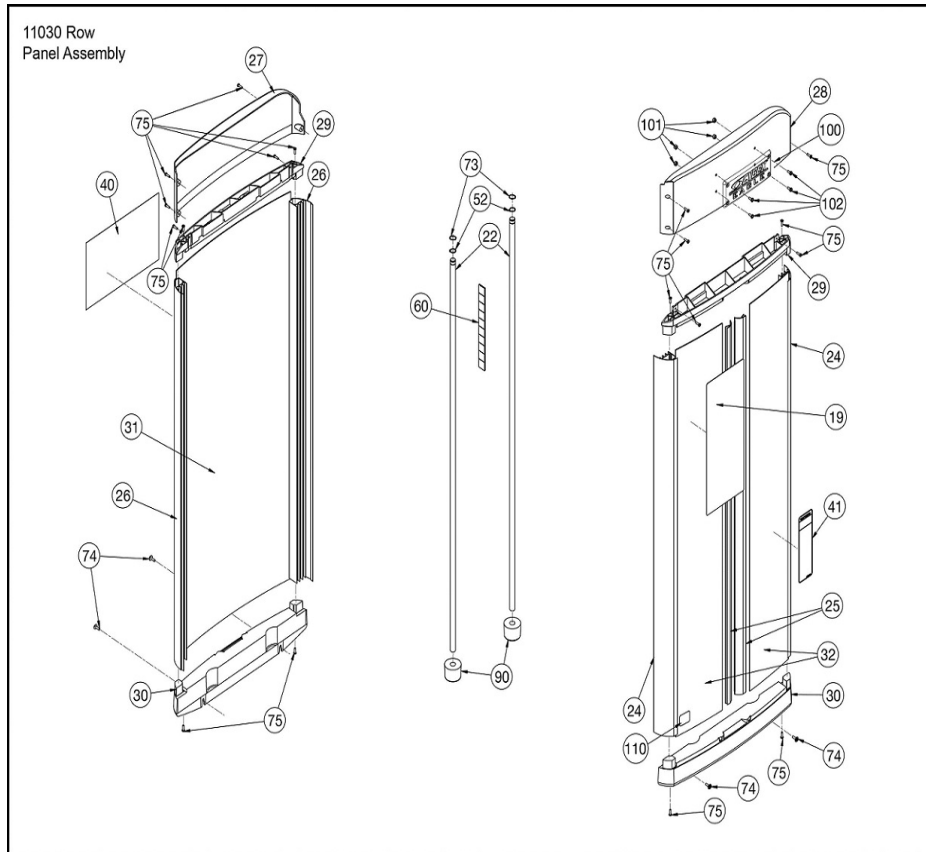
**11030-01 MAIN ASSEMBLY**



Ref #	Part Number	Qty	Description
1	08014	2	PULLEY ASSEMBLY-4.50
3	11000-212	1	W FLOATING PULLEY Custom
4	11030-002	1	CABLE SA
5	11030-003	1	CABLE SA
8	11030-203	1	W MAIN FRAME Custom
17	11030-344	1	PLATE COVER
23	11040-440	1	KNOB
35	11050-375	2	PIN PIVOT
36	11090-370	2	SHAFT PIVOT
39	11090-392	2	COVER FOOT
42	DE000004	1	Decal Caution Custom
44	11020-210	1	P CUSHION TUBE
45	4520-357	1	DECAL ADJUSTING
47	4605-322	1	PIN DETENT
48	4605-512	1	INSERT PLASTIC 7.94
50	4710-321	2	NON-SLIP
51	8650-204	1	P CAM BOLT
53	BS070201	1	COM SPRING .56 ID X .66 OD X 1.50 LG
62	HC700417	1	BHSCS .375-16 X 1.00
66	HC701252	1	HX HD CAP SC .375-16 X 5.25
69	HN-60065	1	NUT SELF-LOCKING 5-16-18 B-ZN
70	HN704901	2	LOCKNUT .375-16 NYLON

Ref #	Part Number	Qty	Description
71	HP286819	1	SPIRAL PIN .188 X 1.12
72	HS347600	10	WASHER SAE .375
76	HX-60184	1	BALL,STUD,5/16 -18X10MM
79	JC700412	11	BHSCS .375-16 X .50
81	JC700422	2	BHSCS .375-16 X 1.50
82	JC700424	1	BHSCS .375-16 X 1.75
83	JC700442	6	BHSCS .375-16 X 4.00
86	PP090202	1	INSERT PLASTIC 1.5 X 3.0 11GA
87	PP090211	11	INSERT PL 1.50 SQ X 10-14 GA
89	PR060003	1	BUMPER RECESS
94	PU060203	1	BUMPER
95	12070-394	1	DECAL INDICATOR
96	11020-336	1	DECAL SEAT ADJUSTING
97	JS347400	2	LOCKWASHER INT TOOTH .375
98	HT512517	1	TAP SC 10-24 X 1.00 TYPE WB PN HD PHIL BLK
99	PR060006	1	BUMPER RECESS
103	██████████	1	CUSHION SA BIKE SEAT 12IN MOLDED Custom
104	4800-188	1	CUSHION SA 10 X 18 NS Custom

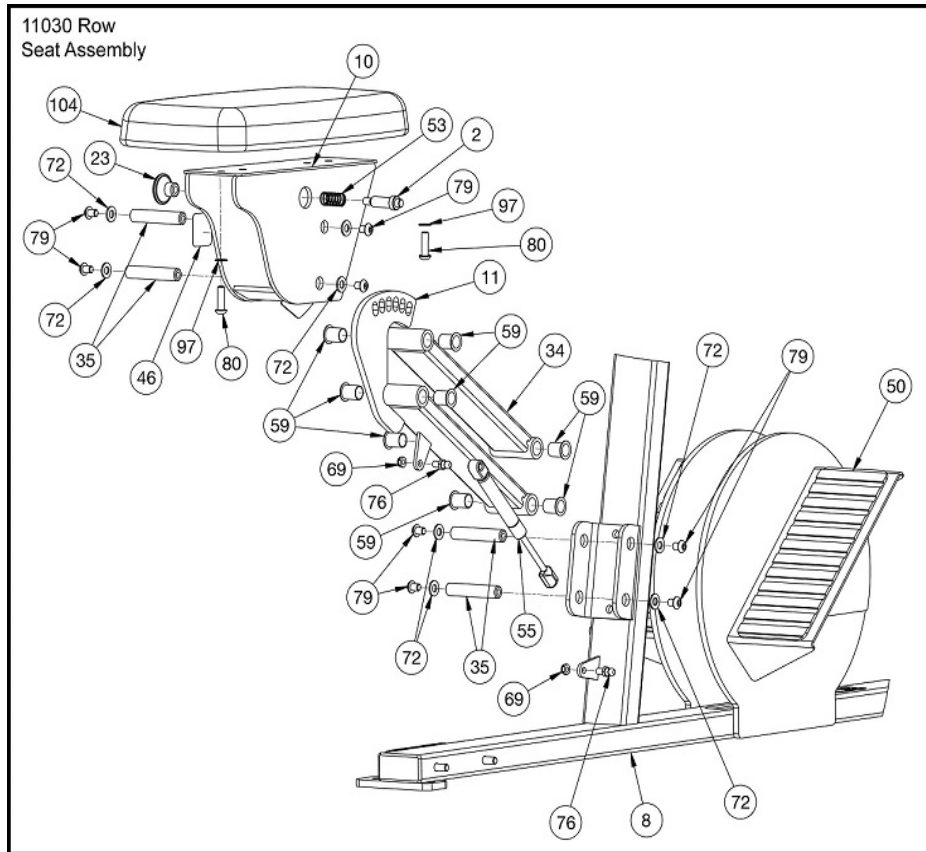
# 11030-01 PANEL ASSEMBLY



Ref #	Part Number	Qty	Description
19	11030-610	1	Placard Eagle Row
22	11040-401	2	WT ROD .625 DIA X 47.50
24	11040-750	2	EXTRUDED INC WT CHANNEL
25	11040-754	2	EXTRUDED GUARD
26	11040-751	2	EXTRUDED INC WT CHANNEL
27	11040-767	1	COVER TOP
28	11040-772	1	COVER TOP
29	11040-776	2	CHASSIS
30	11040-777	2	TRAY BOTTOM
31	11040-760	1	PANEL SHROUD BACK
32	11040-762	2	PANEL SHROUD FRONT
40	3900-441	1	DECAL CYBEX VER BLACK
41	4605-381	1	DECAL WARNING
52	BR030214	1	RETAINING RING .625
60	GB000202	1	BELT .95 WIDE Sold in Ft 1=1ft
73	HS407100	2	WASH SPRG .650 .790 .062 T
74	HT102214	4	SCREW,10-24,HXHD WSHR PHIL,TYP 23
75	HT542514	18	TAP SC NO 8-32 X .625 A PHIL
90	PR060005	2	BUMPER WEIGHT
100	11040-789	1	EAGLE PLAQUE
101	HN575100	4	LOCKNUT .190-NO 10-24
102	HT572512	4	TAP SC NO. 10 - 24 X .50 PN HD PHIL

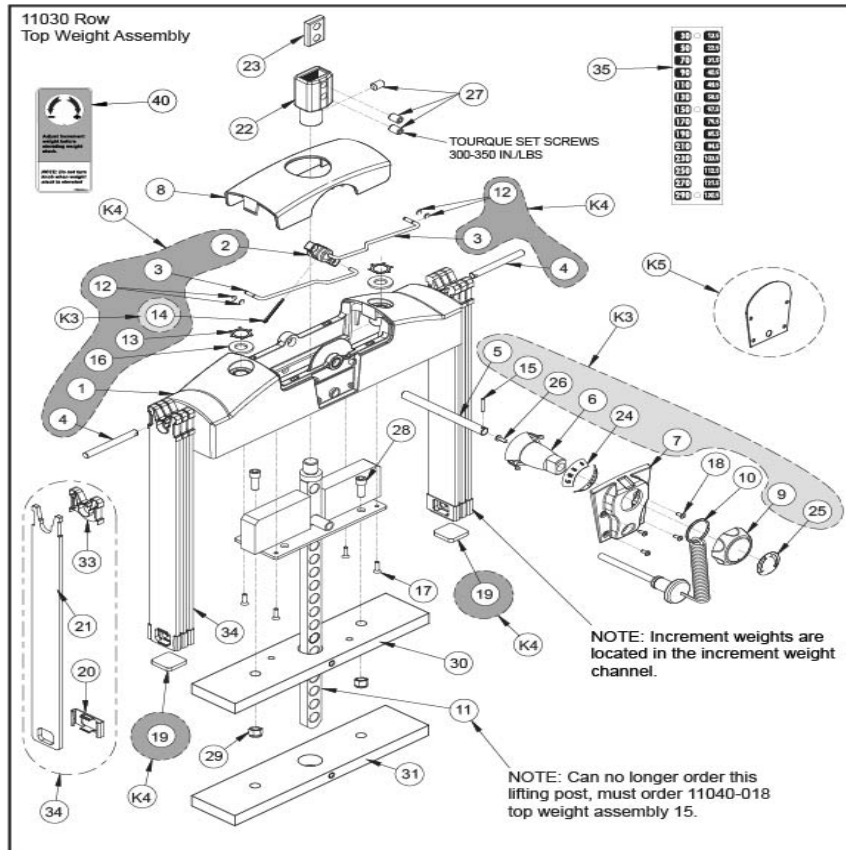
<b>Ref #</b>	<b>Part Number</b>	<b>Qty</b>	<b>Description</b>
110	11040-790	1	DECAL, MADE IN THE USA

**11030-01 SEAT ASSEMBLY**



Ref #	Part Number	Qty	Description
2	08229	1	P PIN DETENT
8	11030-203	1	W MAIN FRAME Custom
10	11030-205	1	W SEAT BOTTOM Custom
11	11030-206	1	W SEAT BOTTOM LINK Custom
23	11040-440	1	KNOB
34	11050-205	1	W LINK Custom
35	11050-375	4	PIN PIVOT
46	4520-362	1	DECAL SEAT CAUTION Custom
50	4710-321	1	NON-SLIP
53	BS070201	1	COM SPRING .56 ID X .66 OD X 1.50 LG
55	EZ000006	1	GAS SPRING 250N
59	FB130207	8	BRG FLG 17MM X 19MM X 25MM
69	HN-60065	1	NUT SELF-LOCKING 5-16-18 B-ZN
72	HS347600	7	WASHER SAE .375
76	HX-60184	2	BALL,STUD,5/16 -18X10MM
79	JC700412	7	BHSCS .375-16 X .50
80	JC700420	2	BHSCS .375-16 X 1.25
97	JS347400	2	LOCKWASHER INT TOOTH .375
104	4800-188	1	CUSHION SA 10 X 18 NS Custom

# 11030-15 TOP WEIGHT ASSEMBLY A01 to G1231



Ref #	Part Number	Qty	Description
1	11040-366	1	TOP WEIGHT ASSEMBLY MOLDED
2	11040-367	1	HUB MOLDED
K3	11040K009	2	KIT INCREMENT WEIGHT KNOB
3	11040-369	2	ROD LINKAGE
4	11040-370	2	PIN
K4	11040K010	4	Kit Top Weight Hardware
5	11040-427	1	ROD
K5	11040K007	1	KIT NON-INCREMENTAL TOP WEIGHT
6	11040-426	1	STEM
7	11040-424	1	COVER PLATE
8	11040-416	1	COVER TOP WEIGHT
9	11040-425	1	KNOB
10	BH030207	1	PIN WEIGHT SELECTOR
11	4700-251	1	C LIFTING POST 15
12	BR030209	4	RETAINING RING .188
13	BR030220	1	RETAINING RING 1.250 INTERNAL
14	HP016820	1	COTTER PIN .125 X 1.25
15	HP266765	1	ROLL PIN .125 X .938
16	HS720004	1	WASHER FELT .641 ID X 1.250 OD X .125 T
17	HT562715	1	TAP SC NO 10 X .750 F PHIL
18	HT582510	1	TAP SC NO 10 X .375 PN HD PHIL
19	11040-409	2	BUMPER

Ref #	Part Number	Qty	Description
20	11040-572	1	GUARD INCREMENT WEIGHT
21,34	11040-030	3	INCREMENT WEIGHT S/A
22	11040-216	1	P BELT CLAMP
23	11040-301	1	INSERT CLAMP BLOCK
24	11040-428	1	DECAL ADJUSTMENT
25	20000-429	1	ROTATION DECAL
26	HT552512	1	TAP SC NO. 8-16 X .50 PLASTITE PAN HEAD PHILLIPS BLACK
27	HY740000	3	SET SCREW
28	HC702826	1	SHCS .375-16 X 2.00
29	HN704901	1	LOCKNUT .375-16 NYLON
30	11030-348	1	C WEIGHT 4 X 18
31	4000C101	1	C STACK WT 4X18
32	4701-014	1	WT PAC 13 4 X 18 BLACK
33	11040-578	1	GUARD, INCREMENT WEIGHT
35	12000-560	1	DECAL WT PLATE (30-290)
40	11000-407	1	Decal Increment Weight

